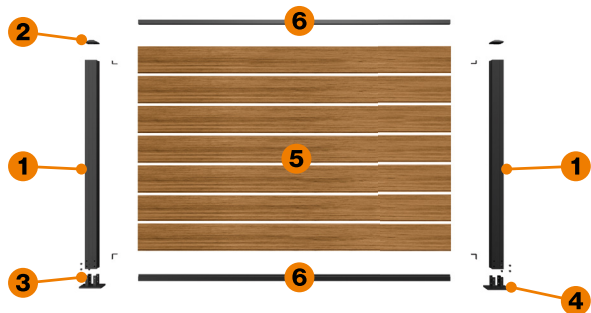


COMPONENTS



- 1 ProtectorAl 3 Way Post
- 2 ProtectorAl 3 Way Post Cap
- 3 ProtectorAl 3 Way Post Base
- 4 ProtectorAl 3 Way Post Base Cover
- 5 ProtectorAl Slat Panel
- 6 ProtectorAl Top & Bottom Rail Set

ASSEMBLED



COMPONENTS



TOOLS REQUIRED



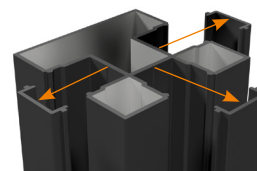
SET OUT

Set up your string line for your intended fence line, keeping the string line as low as practical and an even distance from the ground. Use a tape measure to mark your post locations to ensure the posts are aligned and the slat panel will sit square. Cut the slat panel to length to suit your post spacing.

1. REMOVE POST INSERTS

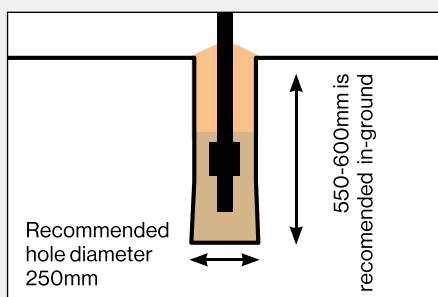
Remove the internal inserts from the sides of the post where the slat panel will be installed. Keep all removed components aside for later use if required.

Be careful to keep the inserts as straight as possible when removing.



2. POST INSTALLATION You can install your posts in-ground or above ground using the 3 Way Post Base

IN-GROUND

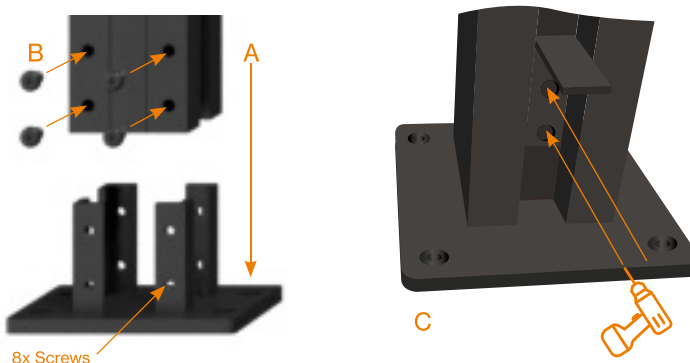


Note: The 3 Way Post can also be installed in-ground. Ensure the post is long enough to accommodate the recommended 550-600mm in-ground depth while still meeting your required above-ground height. We recommend purchasing the 2400mm post and cut to size.

ABOVE GROUND

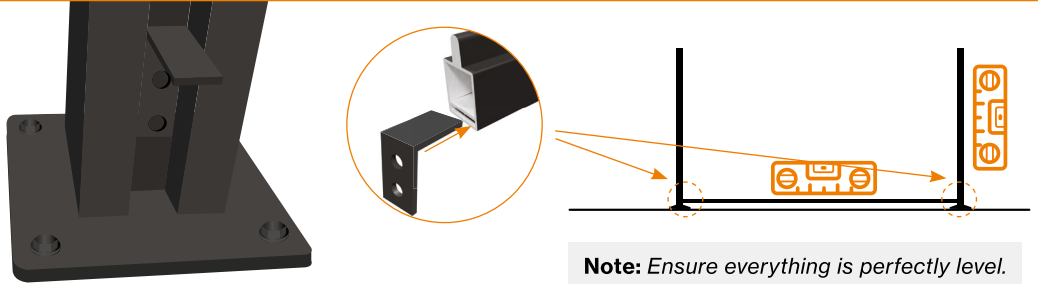
ATTACH BASE PLATE & BOTTOM BRACKET

Attach the 3 Way Post Base and bottom bracket to each post using the pre-drilled 8 screw holes. Ensure both components are tightly fixed.



3. INSTALL THE BOTTOM RAIL

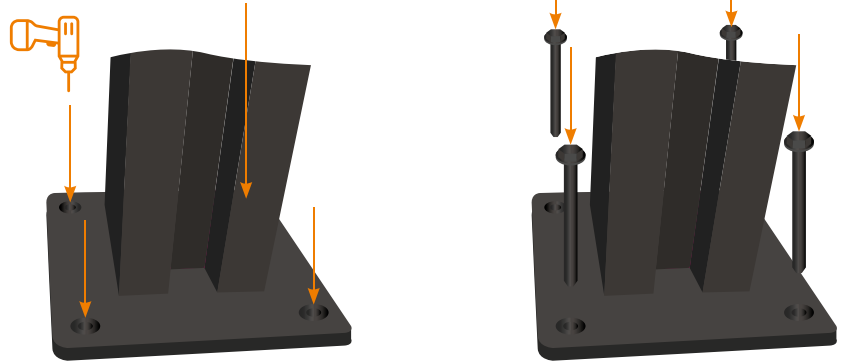
Slide the bottom rail into place between the two posts, ensuring it is seated securely in the bottom brackets.



Note: Ensure everything is perfectly level.

4. FIX POSTS TO GROUND

Position the posts over your ground markings and securely drill/fix each post to the ground with the appropriate fixing (not supplied). Ensure both posts are perfectly vertical and spaced base on the bottom rail width.



Anchor bolts not included

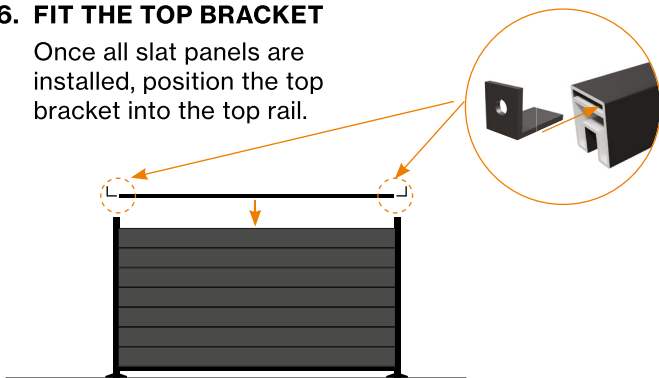
5. INSERT COMPOSITE SLATS

Insert the slat panel one by one from the top. Stack them evenly, ensuring each slat locks or sits correctly in the rail system.



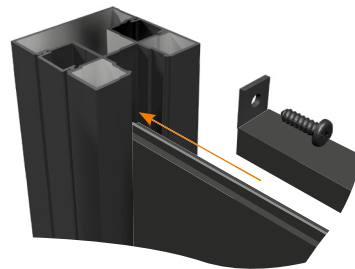
6. FIT THE TOP BRACKET

Once all slat panels are installed, position the top bracket into the top rail.



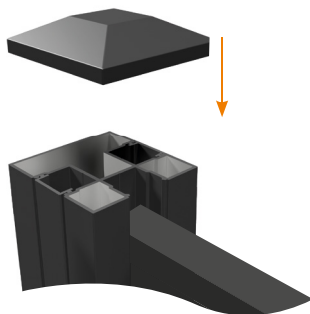
7. INSTALL THE TOP RAIL

Insert the top rail, ensuring it is aligned and fully seated and screw the top bracket onto the post.



8. INSTALL THE POST CAP

Place the post cap onto the top of each post and press firmly until locked into position.



9. ATTACH THE 3 WAY POST BASECOVER

Click the 3 Way Post Base Cover onto the upper section of the post base to provide a clean, finished appearance and conceal fixings.

