

G8SAFE GATE LATCHES

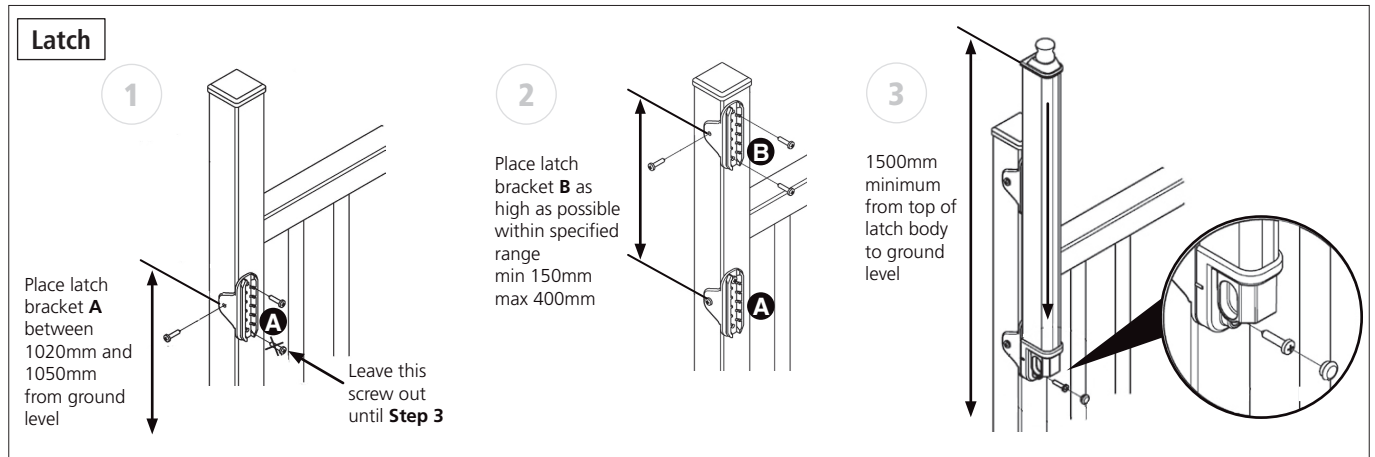
INSTALLATION GUIDE

TOP PULL (Suitable for Pool)

- Contains:
- » 1 Latch + Striker
 - » Screws
 - » Installation guide

Tools required:

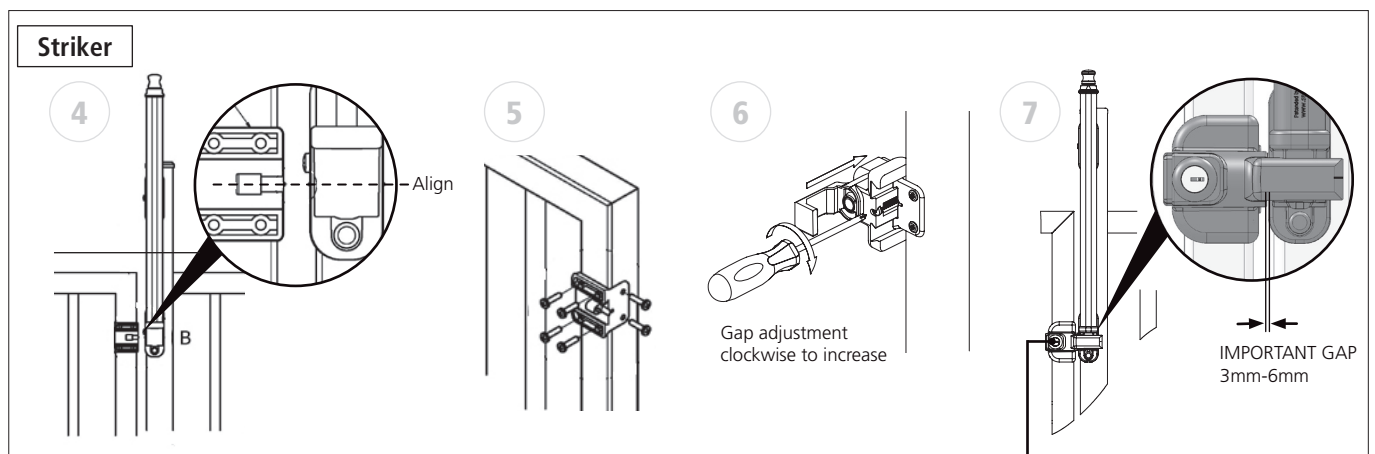
- » Drill
- » Measuring tape
- » Phillips head screwdriver



1. Position latch bracket **A** (lower bracket) between 1020mm & 1050mm from ground level. Fix to post with two screws, leaving the bottom screw out until later (**Step 3**).

2. Place latch bracket **B** (upper bracket) as high as possible within specified range from bracket **A** – min. 150mm, max 400mm.

3. Starting at the top slide latch body fully down onto brackets, then screw to lower bracket. Top of latch body must be a minimum of 1500mm from ground level.



4. Align Striker bracket with latch using the alignment notches (**Step 4**).

5. Attach Striker bracket to the gate frame using the screws provided (**Step 5**). A minimum of 4 screw points for standard width frame or 6 screw points for wider frames.

6. Slide Striker onto bracket, fix using adjuster screw (**Step 6**).

7. Adjust striker clearance 3mm-6mm turning the adjuster screw clockwise to increase (**Step 7**).

IMPORTANT:
ALWAYS REMOVE KEY
WHEN NOT IN USE



Before installing a pool gate, check with your local Council regarding specific pool fence requirements.
Note: Images may differ slightly from actual product

Note: Not all Top Pull latches are key lockable

Protector^{AL}
More than just fencing.



SCAN FOR WARRANTY