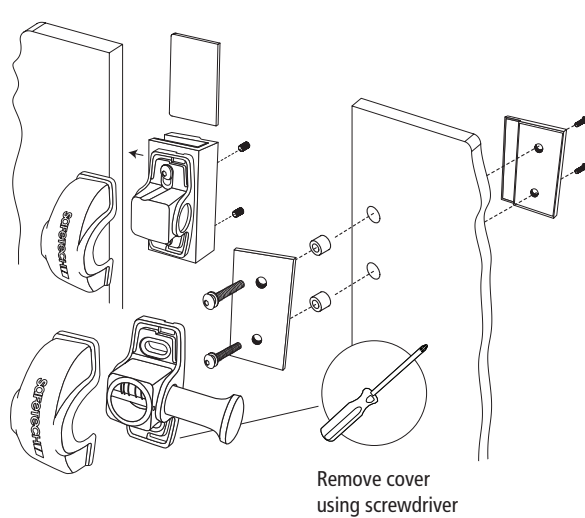


# Gate Latch Installation

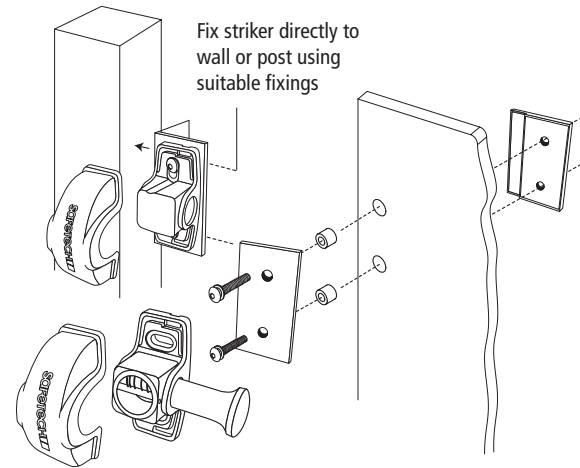
## Frameless Glass Pool System

**Protector<sup>AL</sup>**  
More than just fencing.



### Glass to Glass

1. Remove the plastic cover on the latch body by pushing the tabs on the sides with a screw driver.
2. Remove the backing plate.
3. Line up the pre-drilled holes on the glass gate panel with those on the latch. Ensure space between gate panel and post/glass panel is a maximum of 10mm.  
*NOTE: To meet Compliance requirements, your latch must be on the inside of the pool enclosure, with the gate opening outwards.*
4. Secure the backing plate to the glass and latch using the bolts provided. Ensure the bolts are inserted through the nylon sleeves provided.
5. Fit the striker bracket to the adjacent glass panel, ensuring it aligns with the latch, then insert friction fit plate and tighten grub screws using Allen Key provided.



### Wall/Post to Glass

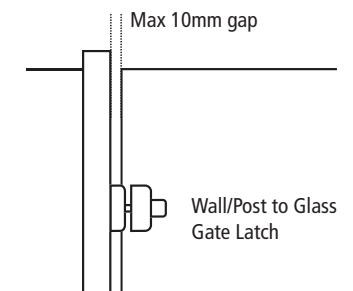
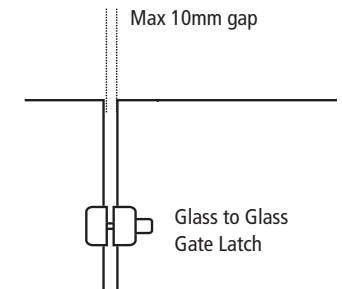
Fix Latch to Glass gate as Steps 1-5 beside, then:

6. Align striker bracket to latch and mark bracket centre holes on the wall/post.
7. Fix the striker bracket to the wall or post.

### All Hinges once fitted

8. Check regularly that your gate latch engages from both fully open and ajar, and adjust hinge tension accordingly.

### Important Spacing



    Share your project on social media, tag us [@protector\\_al](https://www.instagram.com/protector_al) and use [#MoreThanJustFencing](https://www.instagram.com/protector_al)

Before commencing works with this product, consult with your local building authority to determine product suitability.

These Instructions are intended as a generalised guide only.

It is your responsibility to check with your local authorities on all relevant laws and regulations relevant to use of this product.

For more information visit [protectoral.com](https://www.protectoral.com)



Latch must be fitted to pool side of gate.  
Do not use power tools to tighten screws as over tightening may shatter glass.

  
SPASA  
NATIONAL  
MEMBER

## WARRANTY

Our goods come with guarantees that cannot be excluded under the Australian & New Zealand Consumer Laws. You are entitled to a replacement or refund for a major failure and compensation for any other reasonably foreseeable loss or damage. You are also entitled to have the goods repaired or replaced if the goods fail to be of acceptable quality and the failure does not amount to a major failure. In addition to these guarantees and for your peace of mind, we also offer a 10 year warranty on our product. This warranty is subject to our terms and conditions. You can access the full terms and conditions of this warranty here: [www.protectoral.com/warranty/glass/](http://www.protectoral.com/warranty/glass/) You should read these terms and conditions in full prior to purchase of this product. By purchasing this product you accept our terms and conditions of the warranty.



## MAINTENANCE

Like all surfaces, stainless steel and aluminium requires cleaning to remove dirt and grime to keep it in pristine condition. The level of cleaning and maintenance required depends primarily on the environment, e.g. coastal situations, the surfaces will require regular washing to retain their good looks and prevent tea staining.

Environment	Posts/Spigots
Seafront	Monthly
Coastal (within 5km of the coast)	6-12 months
Urban	6-12 months
Suburban Rural	As required to maintain appearance

NOTE: Harsh abrasives should never be used on any polished metal surface. For further information regarding care and maintenance refer to our website.