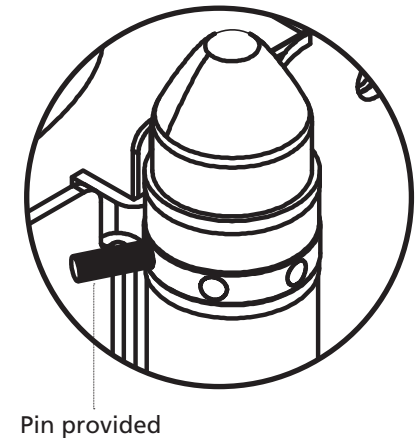
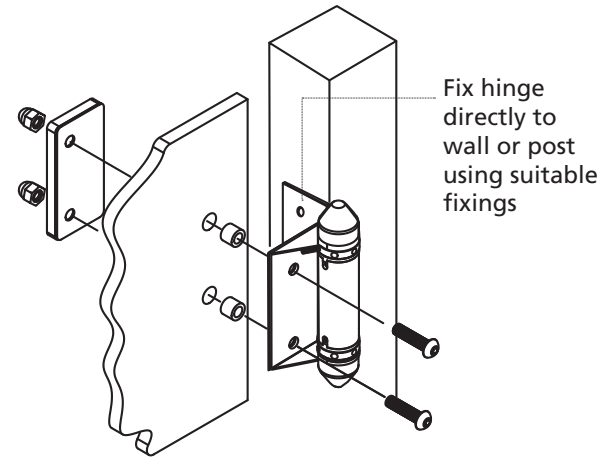
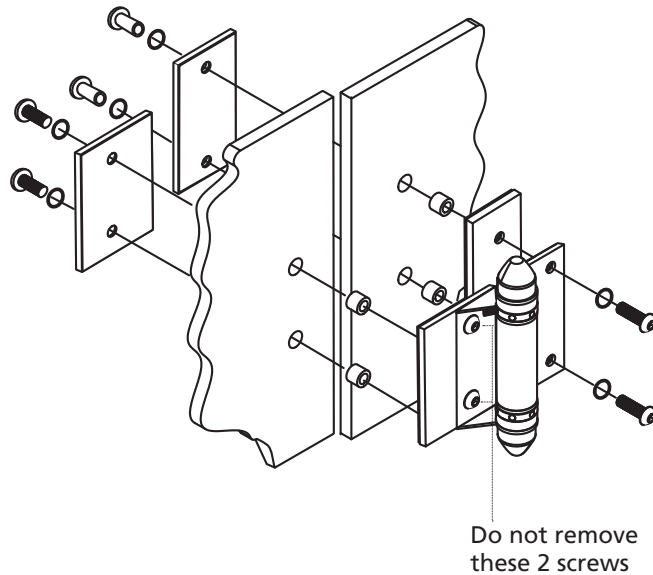


Gate Hinges Installation

Frameless Glass Pool System

Protector^{AL}

More than just fencing.



Glass to Glass

1. Remove the backing plate.
2. Line up the pre-drilled holes on the glass with those on the hinge
NOTE: Gate must open outwards to meet compliance requirements, left and right opening directions can be achieved by turning the hinges upside down.
3. Secure the backing plate to the glass using the bolts provided. Ensure the bolts are inserted through the nylon sleeves provided.
4. Tighten bolts until the hinge is securely fastened to the panels.

Wall/Post to Glass

Fix Hinge to Glass gate as Steps 1-4 above, then:

5. Using chocks align gate at correct height to fence and wall/post, mark the hinge hole centres on the wall/post.
6. Fix the hinge to the wall or post, ensuring gate is level and at the correct height.

All Hinges once fitted

7. Adjust the tension and closing speed of the gate by moving the pin provided to the appropriate hole.
8. Check that gate self closes and latch engages from both fully open and ajar.

    Share your project on social media, tag us [@protector_al](https://www.instagram.com/protector_al) and use [#MoreThanJustFencing](https://www.tiktok.com/tag/MoreThanJustFencing)

Before commencing works with this product, consult with your local building authority to determine product suitability.

These Instructions are intended as a generalised guide only.

It is your responsibility to check with your local authorities on all relevant laws and regulations relevant to use of this product.

For more information visit [protectoral.com](https://www.protectoral.com)



Do not use power tools to tighten screws as over tightening may shatter glass.


SPASA
NATIONAL
MEMBER

WARRANTY

Our goods come with guarantees that cannot be excluded under the Australian & New Zealand Consumer Laws. You are entitled to a replacement or refund for a major failure and compensation for any other reasonably foreseeable loss or damage. You are also entitled to have the goods repaired or replaced if the goods fail to be of acceptable quality and the failure does not amount to a major failure. In addition to these guarantees and for your peace of mind, we also offer a 10 year warranty on our product. This warranty is subject to our terms and conditions. You can access the full terms and conditions of this warranty here: www.protectoral.com/warranty/glass/ You should read these terms and conditions in full prior to purchase of this product. By purchasing this product you accept our terms and conditions of the warranty.



MAINTENANCE

Like all surfaces, stainless steel and aluminium requires cleaning to remove dirt and grime to keep it in pristine condition. The level of cleaning and maintenance required depends primarily on the environment, e.g. coastal situations, the surfaces will require regular washing to retain their good looks and prevent tea staining.

Environment	Posts/Spigots
Seafront	Monthly
Coastal (within 5km of the coast)	6-12 months
Urban	6-12 months
Suburban Rural	As required to maintain appearance

NOTE: Harsh abrasives should never be used on any polished metal surface. For further information regarding care and maintenance refer to our website.